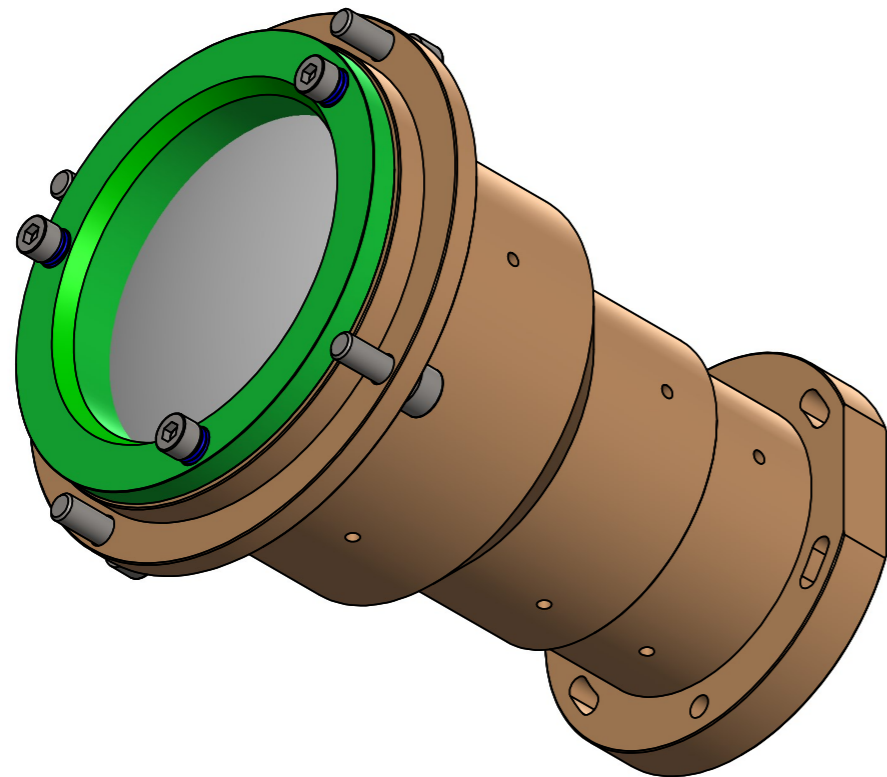
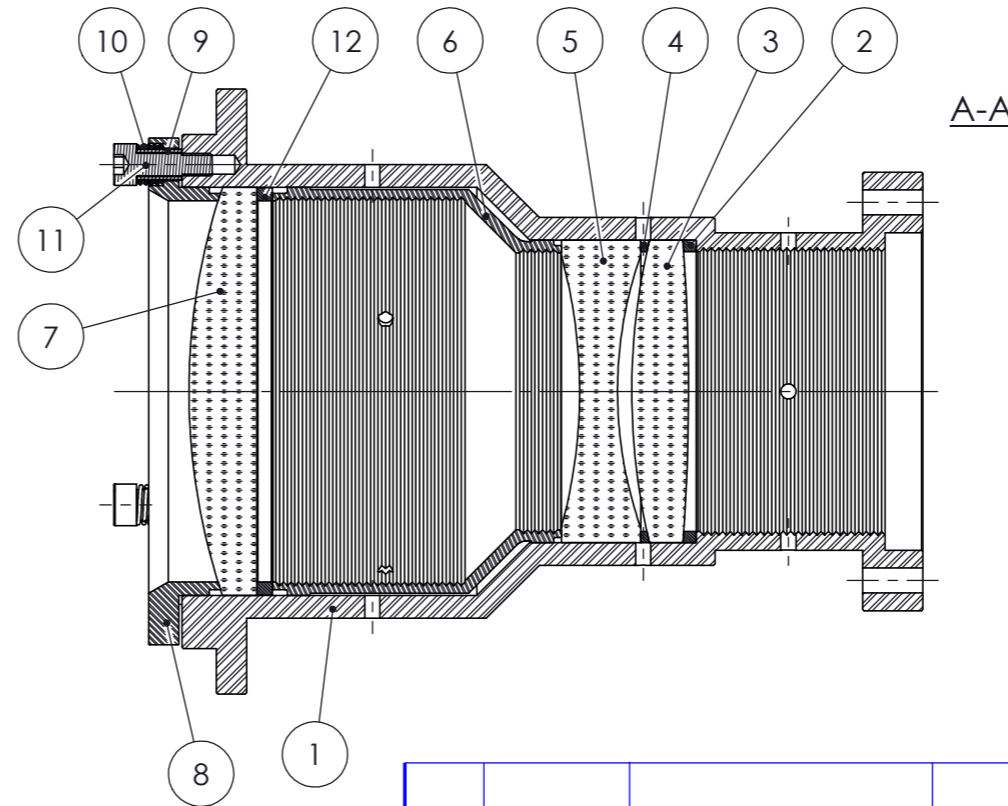
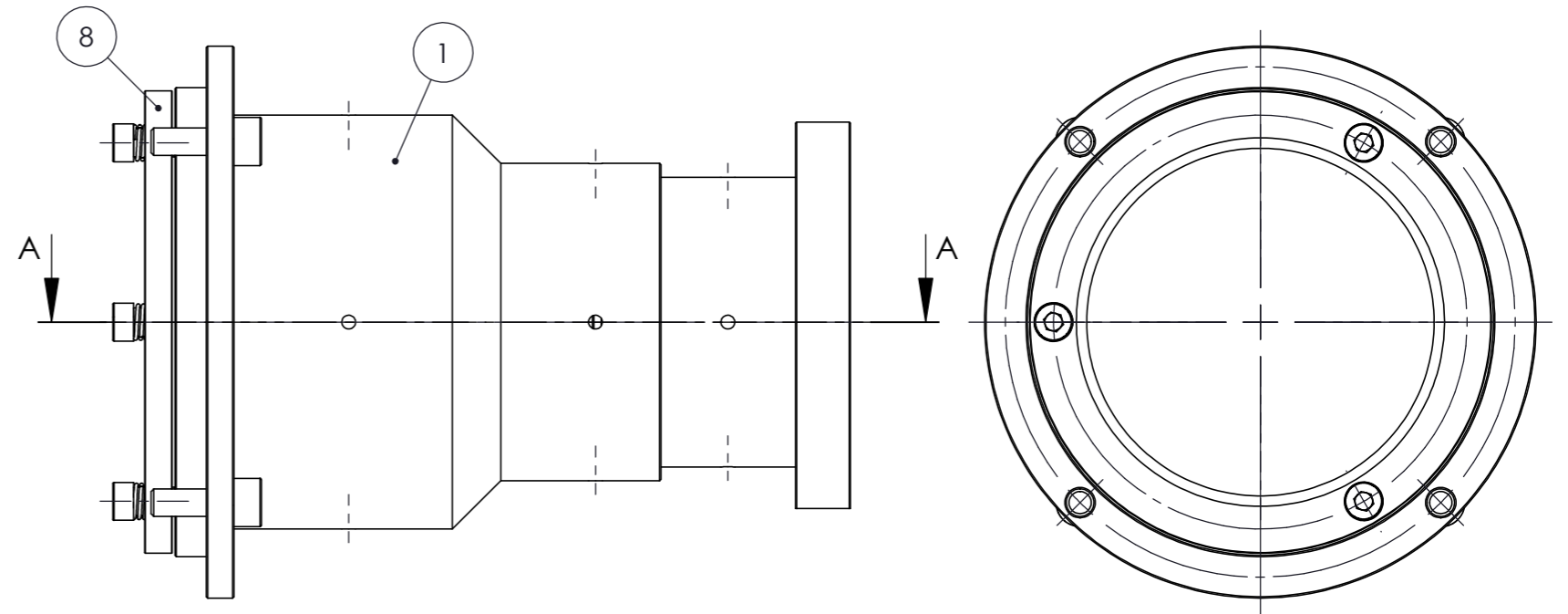




| Item | DESCRIPTION                     | Quantity | Material |
|------|---------------------------------|----------|----------|
| 1    | Collimator support              | 1        | Al 5083  |
| 2    | L1 spacer                       | 1        | Al 5083  |
| 3    | COL_L1 lens                     | 1        | S-LAH95  |
| 4    | L2 spacer                       | 1        | Al 5083  |
| 5    | COL_L2 lens                     | 1        | S-BSL7   |
| 6    | L3 spacer                       | 1        | Al 5083  |
| 7    | COL_L3 lens                     | 1        | S-LAH95  |
| 8    | L1 L2 L3 fixing                 | 1        | Al 5083  |
| 9    | Spring spacer                   | 3        | Al 5083  |
| 10   | Spring                          | 3        | SS304    |
| 11   | Screw M3 x 10                   | 3        | SS304    |
| 12   | L3 collimator Adjustment spacer | 1        | Al 5083  |



|   |            |   |  |   |
|---|------------|---|--|---|
| A01   | 12/12/2024 | Jean-Jacques Correia  | Formal release for FDR   | Laurent Jocou                                   |
| Index Issue   | Date       | Auteur Author   | Observations / Modifications   | Vérifié et approuvé par Checked and approved by |
|  |            | <b>Contact :</b><br>Jean-Jacques Correia<br><b>Adresse :</b><br>IPAG<br>414, rue la piscine<br>domaine universitaire<br>38400 St Martin d'Heres<br>Tel :+33 4 76 14 36 53 | Nom de la pièce / Part name :<br>LGS-WFS collimator Assembly   |   |
| jean-jacques.correia@univ-grenoble-alpes.fr   |            | Format<br><b>A3</b><br>Size<br>Echelle<br><b>1:1</b><br>Scale   | Nom du plan / Drawing number :<br>E-MAO-PLA-03-02-02-00.SLDDRW                                       |   |
|  |            |   | Matière / Material :<br>Traitement de surface /Coating :<br>Masse / Mass :                           | Quantité / Quantity<br>6                        |
| <b>MORFEO</b><br><b>LGSWFS</b>  |            |   | Tolérance Générales / General tolerance :<br>ISO 2768 mk / Finition surface : Ra 3,2 / Filetage : 6H |   |
|   |            |   |  | Feuille / Folio sheet<br><b>1/1</b>             |